



(12) **United States Design Patent**  
**Stepanian**

(10) **Patent No.:** **US D629,765 S**  
(45) **Date of Patent:** **\*\* Dec. 28, 2010**

- (54) **CONTROL BUTTON ARRAY FOR REMOTE CONTROL HOUSING**
  - (76) Inventor: **Robert Stepanian**, 4134 Cranford Cir., San Jose, CA (US) 95124
  - (\*\*) Term: **14 Years**
  - (21) Appl. No.: **29/342,587**
  - (22) Filed: **Aug. 27, 2009**
  - (51) **LOC (9) Cl.** ..... **13-03**
  - (52) **U.S. Cl.** ..... **D13/174; D13/168**
  - (58) **Field of Classification Search** ..... D13/168, D13/174; D10/104, 106; D14/218, 247, D14/399, 400, 454, 455, 456, 138 AA; D18/41; D21/385; 455/352; 345/156, 169; 348/734; 340/825.22, 825.24, 825.25, 825.31, 825.36, 340/825.69, 825.72; 341/176
- See application file for complete search history.

D514,527 S	2/2006	DiPasquale	
D532,754 S *	11/2006	Ng et al.	D13/168
D534,131 S	12/2006	Ng et al.	
D542,236 S *	5/2007	Klein et al.	D13/168
D542,260 S *	5/2007	Lee	D14/138 AA
D552,599 S *	10/2007	Krzyzanowski et al.	D14/218
D562,300 S *	2/2008	Marry et al.	D14/138 AA
D592,651 S *	5/2009	Tompkin	D14/247
D603,414 S *	11/2009	Wun et al.	D14/455
D605,711 S *	12/2009	Ben-Moshe	D21/517
D607,847 S *	1/2010	Elliott et al.	D13/168
D616,427 S *	5/2010	Li	D14/247
2002/0002707 A1	1/2002	Ekel et al.	
2002/0092025 A1	7/2002	Klumpp	
2002/0158812 A1	10/2002	Pallakoff	
2003/0174084 A1	9/2003	Maeda	
2004/0224638 A1	11/2004	Fadell et al.	
2005/0012723 A1	1/2005	Pallakoff	
2006/0017857 A1	1/2006	Sata et al.	
2010/0182515 A1*	7/2010	Lou	348/734

\* cited by examiner

*Primary Examiner*—Selina Sikder  
(74) *Attorney, Agent, or Firm*—James F. Hann; Haynes Beffel & Wolfeld LLP

(56) **References Cited**

U.S. PATENT DOCUMENTS

D202,348 S *	9/1965	Cochrane	D13/174
D239,394 S *	3/1976	Adams et al.	D13/169
D287,598 S *	1/1987	Moggridge	D14/456
5,650,831 A	7/1997	Farwell	
D387,061 S	12/1997	Nozoe	
D395,891 S	7/1998	Gerba et al.	
D400,885 S *	11/1998	Goto	D14/218
D407,071 S	3/1999	Keating	
D425,899 S	5/2000	Dent	
D440,970 S *	4/2001	Henderson et al.	D14/399
D470,854 S *	2/2003	Jones et al.	D14/456
6,518,953 B1*	2/2003	Armstrong	345/159
D471,201 S *	3/2003	Tsukuda	D14/455
6,707,448 B1	3/2004	Kunimatsu et al.	
6,810,271 B1*	10/2004	Wood et al.	455/566
D504,417 S	4/2005	Reza et al.	

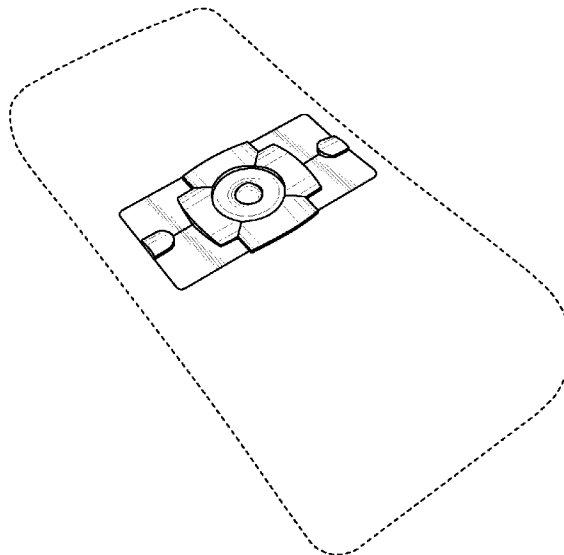
(57) **CLAIM**

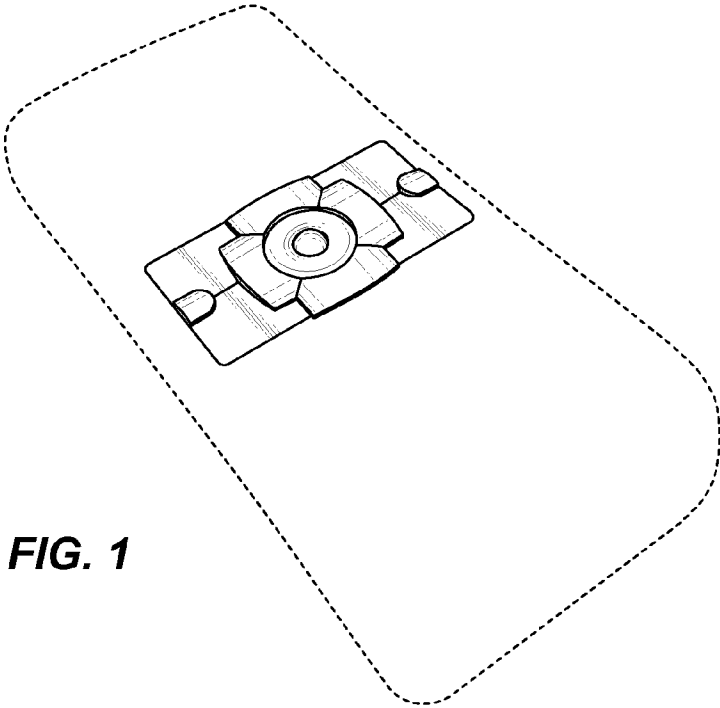
The ornamental design for a control button array for remote control housing, as shown and described.

**DESCRIPTION**

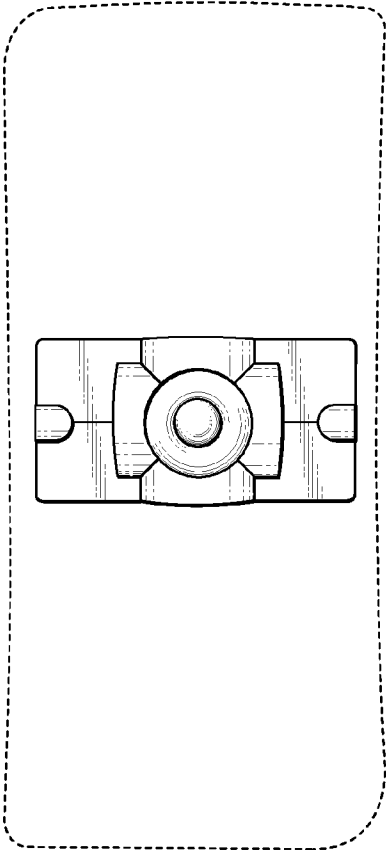
FIG. 1 is a top, right, rear view of a control button array for remote control housing showing our new design; FIG. 2 is a top plan view thereof; and, FIG. 3 is a right side elevational view thereof. The broken lines in all views are shown for illustrative purposes only and form no part of the claimed design.

**1 Claim, 1 Drawing Sheet**

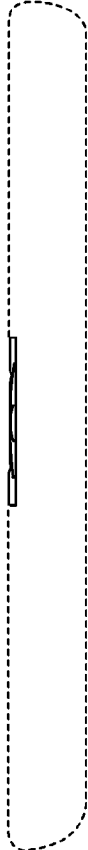




**FIG. 1**



**FIG. 2**



**FIG. 3**